

# TEAR SHEET

## Leeds Small Round Sconce

Item # CS 2605OSB

Designer: Christopher Spitzmiller

Height: 8.25"

Width: 8.25"

Extension: 3.75"

Backplate: 4.5" Round

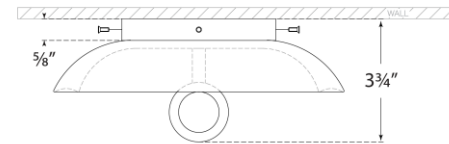
Finishes: CGD, IVO, OSB, SHG

Socket: E12 Candelabra

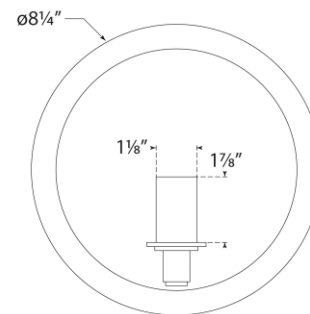
Wattage: 40 C11

Weight: 4 Pounds

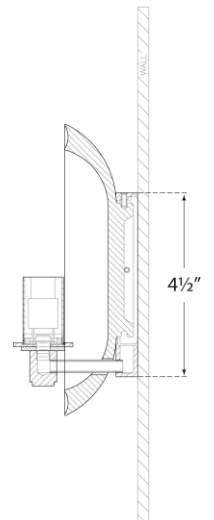
Note: Reactive Ceramic Glazes Will Vary in Color and Texture



Top View



Front View



Side View