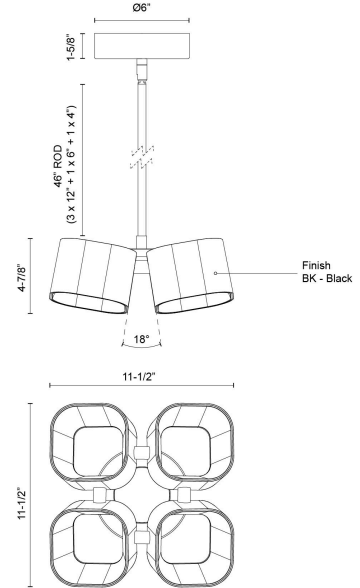


Arena 11-in Pendant

Model	Color Temperature	Wattage	Voltage	Total Lumens	Delivered Lumens	Dimmer Support (Optional, Not Included)
PD73411-UNV PD73411-BK-UNV	3000K	36W	120-277V	3175lm	1580lm*	TRIAC/ELV

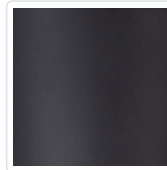


Designed by Branch Creative, the Arena pendant series transforms the industrial appeal of stadium lights into a uniquely organic and modern design. Each hollow cube of illumination radiates warmth and sophistication. Arena offers refined style that suits any contemporary interior.

SPECIFICATION DETAILS

Fixture Dimensions	L11-1/2" x W11-1/2" x H4-7/8"
Canopy Dimensions	D6" x H1-5/8"
Minimum Hang Height	12"
Location	Dry
Diffuser Details	Frosted Acrylic Diffuser
Dimming Range	100% - 10%
Illumination Direction	Down
Light Source/Life	LED (50,000 hours) 90CRI
Material	Aluminum, Acrylic
Slopped Ceiling Adaptable	Yes, 45 Deg
Rod Length	46" Max (3x12" + 1x6" + 1x4")
Wire Length	72"
Compliance	ETL Certified: Yes CEC Title 24: Yes

FINISHES



Black
(BK)

* For custom options, contact customer service.

* For warranty information, please visit www.kuzcolighting.com/warranty

WWW.KUZCOLIGHTING.COM

USA: 3035 E. LONE MOUNTAIN ROAD - LAS VEGAS, NV 89081

CANADA: 19054 28TH AVENUE - SURREY, BC V3Z 6M3